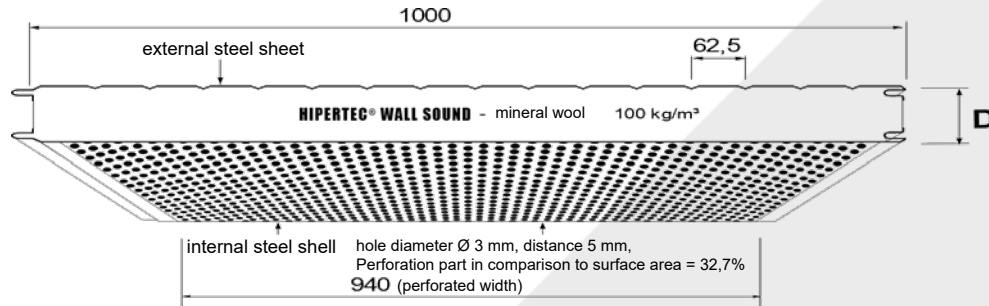


## HIPERTEC Wall Sound

$t_N = 0,60 / 0,60$  mm

Max. valid supporting widths stated in the following are attested according to approval Z-01 from 09th of February 2000. The property of the core corresponds to the approval Z-10.49-517. Sandwich panels with perforated cover shells are not regulated in DIN EN 14509. The directions for the application of the table can be gathered from the data sheet.



Calculation of binding suction loads according to DIN EN 1991.

Wind suction A-Area = velocity pressure  $q \times c_p$   $c_{p10} = 1,2$

Wind suction B-Area = velocity pressure  $q \times c_p$   $c_{p10} = 0,8$

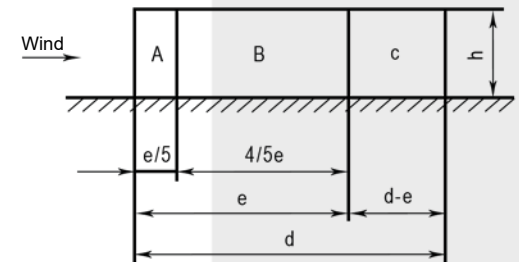
Wind suction C-Area = velocity pressure  $q \times c_p$   $c_{p10} = 0,5$

Calculation of area width cross wall:  $e = 2h$

Calculation of area width longitudinal wall:  $e = \text{width or } 2h$

A-Area =  $e/5$ , B-Area =  $4/5 \times e$

Prospect for  $e < d$



## Wind suction loads panel thickness 60 mm

stat. system	colour group	characteristic wind suction in kN / m <sup>2</sup>										
		0,25	0,30	0,40	0,50	0,60	0,80	1,00	1,25	1,50	1,75	2,00
single span	I, II, III	4,60	4,20	3,64	3,25	2,97	2,57	2,13	1,70	1,42	1,22	1,06
dual span	I	2,08	2,08	2,08	2,08	2,08	2,08	2,08	1,70	1,42	1,22	1,06
	II	2,08	2,08	2,08	2,08	2,08	2,08	1,74	1,42	1,23	1,10	1,01
	III	2,08	2,08	2,08	2,08	2,08	1,31	1,14	1,02	0,93	0,86	0,80
multiple span	I	2,16	2,16	2,16	2,16	2,16	2,16	2,13	1,65	1,22	0,98	0,84
	II	2,16	2,16	2,16	2,16	2,16	2,16	1,34	1,00	0,86	0,78	0,72
	III	1,00	0,93	0,82	0,76	0,72	0,67	0,62	0,58	0,55	0,53	0,50

## Wind suction loads panel thickness 80 mm

stat. system	colour group	characteristic wind suction in kN / m <sup>2</sup>										
		0,25	0,30	0,40	0,50	0,60	0,80	1,00	1,25	1,50	1,75	2,00
single span	I, II, III	5,32	4,86	4,21	3,76	3,43	2,97	2,66	2,28	1,90	1,63	1,42
dual span	I	2,40	2,40	2,40	2,40	2,40	2,40	2,40	2,15	1,80	1,58	1,42
	II	2,40	2,40	2,40	2,40	2,40	2,40	2,40	2,15	1,80	1,58	1,42
	III	2,40	2,40	2,40	2,40	2,40	2,36	1,84	1,52	1,34	1,22	1,13
multiple span	I	2,50	2,50	2,50	2,50	2,50	2,50	2,50	2,28	1,90	1,63	1,41
	II	2,50	2,50	2,50	2,50	2,50	2,50	2,50	1,95	1,46	1,23	1,08
	III	2,49	2,49	2,49	2,49	2,49	1,27	1,03	0,91	0,83	0,77	0,72

# Span table 81 / 10-15

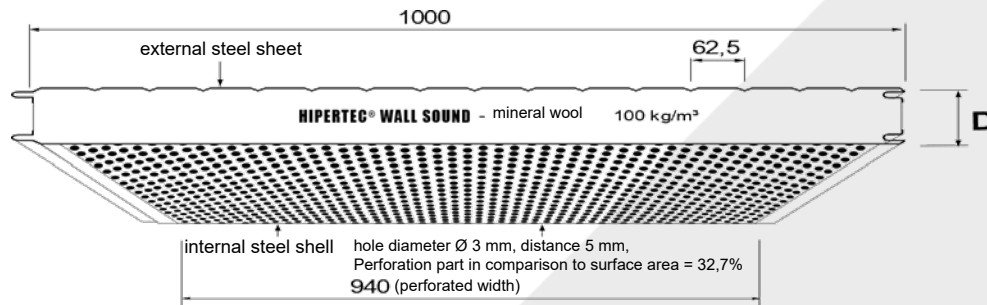
As of 03 / 2014



## HIPERTEC Wall Sound

$t_N = 0,60 / 0,60$  mm

Max. valid supporting widths stated in the following are attested according to approval Z-01 from 09th of February 2000. The property of the core corresponds to the approval Z-10.49-517. Sandwich panels with perforated cover shells are not regulated in DIN EN 14509. The directions for the application of the table can be gathered from the data sheet.



### Wind suction loads panel thickness 100 mm

stat. system	colour group	characteristic wind suction in kN / m <sup>2</sup>										
		0,25	0,30	0,40	0,50	0,60	0,80	1,00	1,25	1,50	1,75	2,00
single span	I, II, III	5,95	5,44	4,71	4,21	3,84	3,33	2,98	2,66	2,38	2,04	1,78
dual span	I	2,69	2,69	2,69	2,69	2,69	2,69	2,69	2,66	2,38	2,04	1,78
	II	2,69	2,69	2,69	2,69	2,69	2,69	2,69	2,66	2,38	2,04	1,78
	III	2,69	2,69	2,69	2,69	2,69	2,69	2,69	2,16	1,83	1,63	1,48
multiple span	I	2,80	2,80	2,80	2,80	2,80	2,80	2,80	2,66	2,38	2,04	1,78
	II	2,80	2,80	2,80	2,80	2,80	2,80	2,80	2,66	2,31	1,85	1,55
	III	2,79	2,79	2,79	2,79	2,79	2,79	2,79	2,68	1,21	1,09	1,00

### Wind suction loads panel thickness 120 mm

stat. system	colour group	characteristic wind suction in kN / m <sup>2</sup>										
		0,25	0,30	0,40	0,50	0,60	0,80	1,00	1,25	1,50	1,75	2,00
single span	I, II, III	6,53	5,96	5,16	4,62	4,21	3,65	3,26	2,92	2,66	2,45	2,14
dual span	I	2,94	2,94	2,94	2,94	2,94	2,94	2,94	2,92	2,66	2,45	2,14
	II	2,94	2,94	2,94	2,94	2,94	2,94	2,94	2,92	2,66	2,45	2,14
	III	2,94	2,94	2,94	2,94	2,94	2,94	2,94	2,89	2,42	2,09	1,87
multiple span	I	3,08	3,08	3,08	3,08	3,08	3,08	3,08	2,92	2,66	2,45	2,14
	II	3,08	3,08	3,08	3,08	3,08	3,08	3,08	2,92	2,66	2,45	2,11
	III	3,06	3,06	3,06	3,06	3,06	3,06	2,94	2,81	1,87	1,52	1,34

### Wind suction loads panel thickness 150 mm

stat. system	Farbgruppe	characteristic wind suction in kN / m <sup>2</sup>										
		0,25	0,30	0,40	0,50	0,60	0,80	1,00	1,25	1,50	1,75	2,00
single span	I, II, III	7,30	6,66	5,77	5,16	4,71	4,08	3,65	3,26	2,98	2,76	2,58
dual span	I	3,30	3,30	3,30	3,30	3,30	3,30	3,30	3,26	2,98	2,76	2,58
	II	3,30	3,30	3,30	3,30	3,30	3,30	3,30	3,26	2,98	2,76	2,58
	III	3,30	3,30	3,30	3,30	3,30	3,30	3,30	3,24	2,98	2,76	2,53
multiple span	I	3,44	3,44	3,44	3,44	3,44	3,44	3,44	3,26	2,98	2,76	2,58
	II	3,44	3,44	3,44	3,44	3,44	3,44	3,44	3,26	2,98	2,76	2,58
	III	3,42	3,42	3,42	3,42	3,42	3,42	3,29	3,14	2,98	2,62	2,07